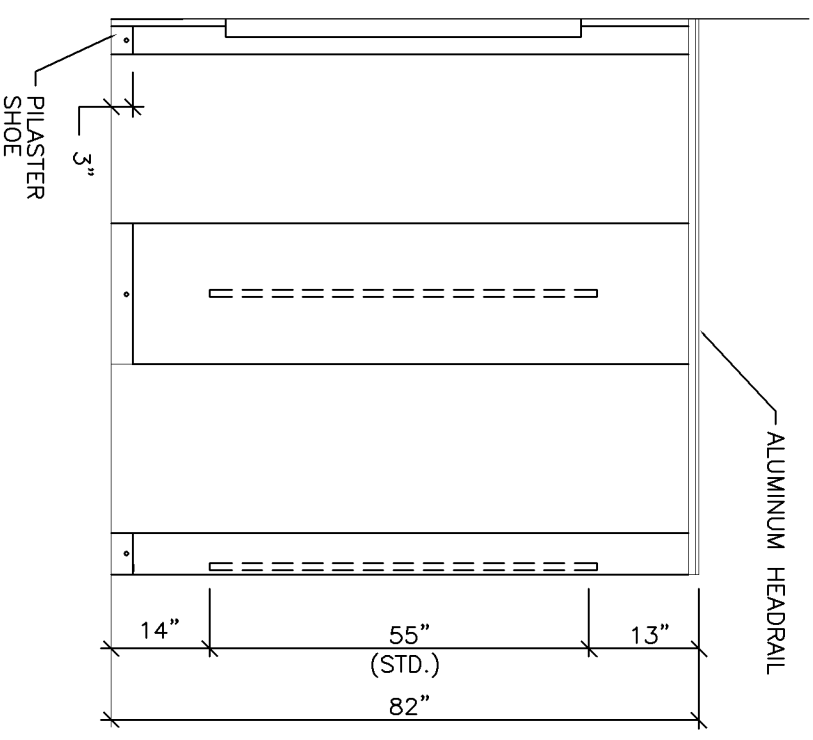
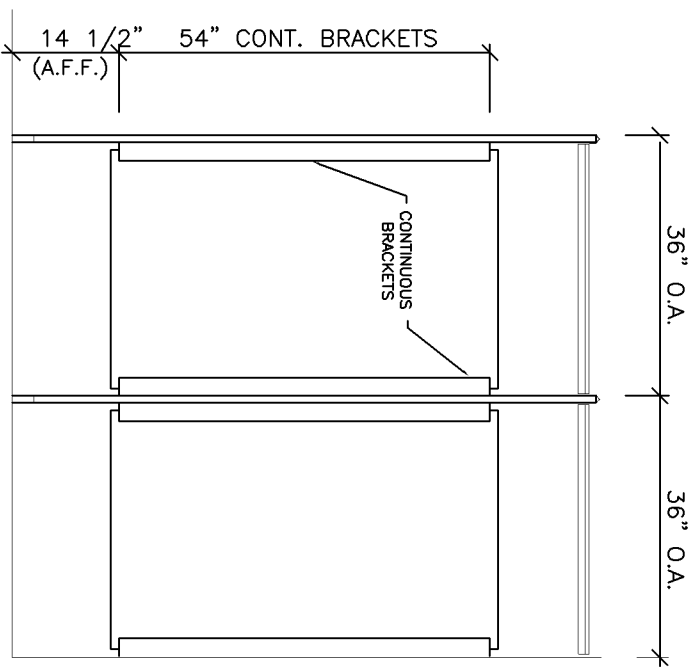


* CONTINUOUS BRACKETS



STD. FRONT ELEVATION
N T S



STD. SIDE ELEVATION
N T S

NOTES 1

1. ELEVATIONS SHOWN ARE FLOOR MOUNTED HEADRAIL BRACED USING CONTINUOUS BRACKETS .
2. NO SHOWER HOOKS WILL BE SUPPLIED UNLESS SPECIFIED FOR ALL SHOWER COMPARTMENT OPENINGS. SHOWER CURTAINS WILL BE SUPPLIED ONLY WHEN QUOTED WITH THE ORDER.

	CUSTOMER'S JOB NUMBER _____	
	PROJECT N T S	QUANTITY _____
SHOWER/DRESSING ELEVATIONS	DRAWN BY _____	CHECKED BY _____
	DATE _____	APPROVED _____
PROJECT ADDRESS _____		PROJECT NUMBER _____
PROJECT CONTACT INFORMATION _____		