

\*SEE HEATSINC NOTE BELOW

Crossbracing note: Will only be supplied on ceiling height's of 92' or larger.

**COMTEC / CAPITOL INDUSTRIES PARTITIONS**

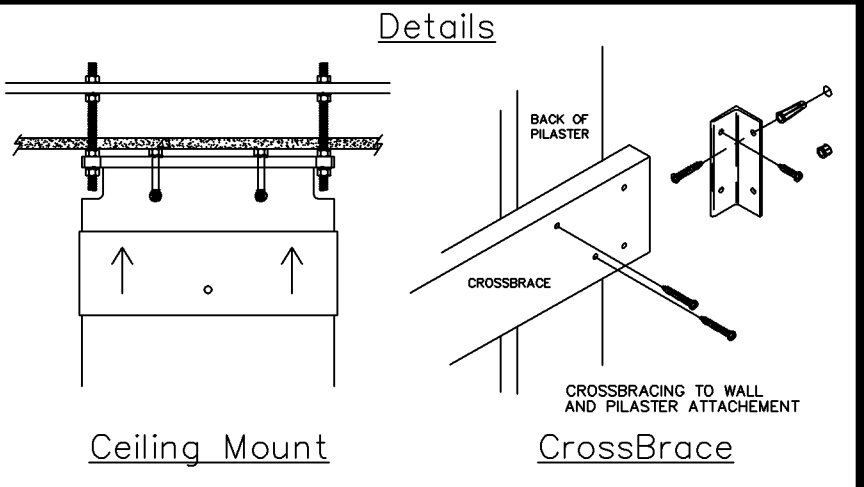
600 WINFIELD AVE. SCRANTON, PA. 18507 1(800)-445-5148

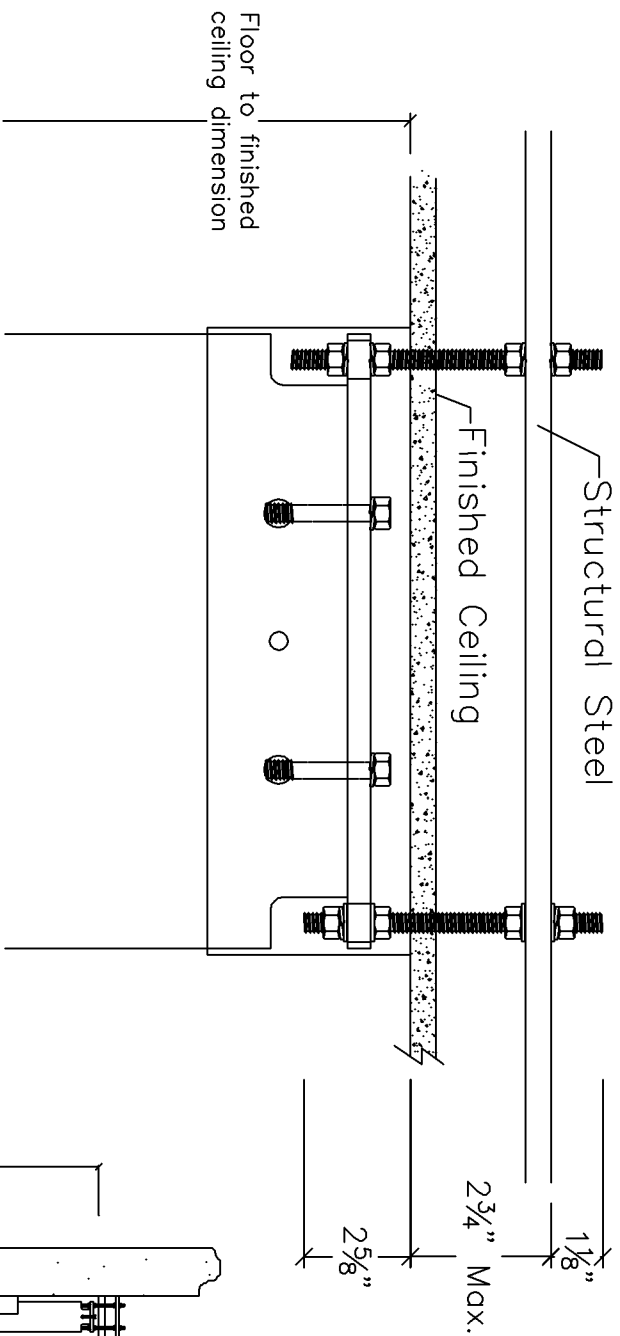
**STANDARD ELEVATIONS**  
(Drawings are not to scale)

- \*Ceiling Hung
- \*8" Aluminum Wrap-Around Hinge
- \*Continuous Aluminum Brackets

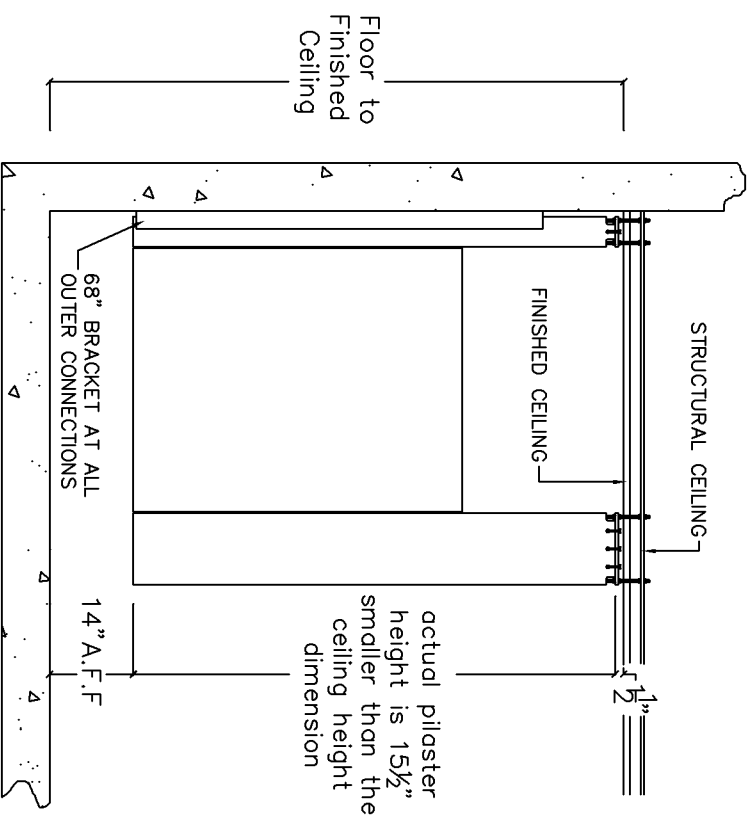
**Note: "Job-Specific Specifications" for all orders are located on the top of the shop drawing layouts.**

\* HEATSINC NOTE: Heatsinc is to be placed on the bottom of the panels & doors. (If specified)





**Attention (provide the following)**  
**Floor to finished ceiling height :** \_\_\_\_\_  
 Please note that the height to the top of the steel can be no more than 2 3/4" higher from the finished ceiling.  
 (See the above detail)



Ceiling Beam can only be structural steel.  
 No other types are recommended.

(Note: Unistrut is not considered structural steel & should not be used.)  
 Only 6 1/2" threaded rods are recommended.