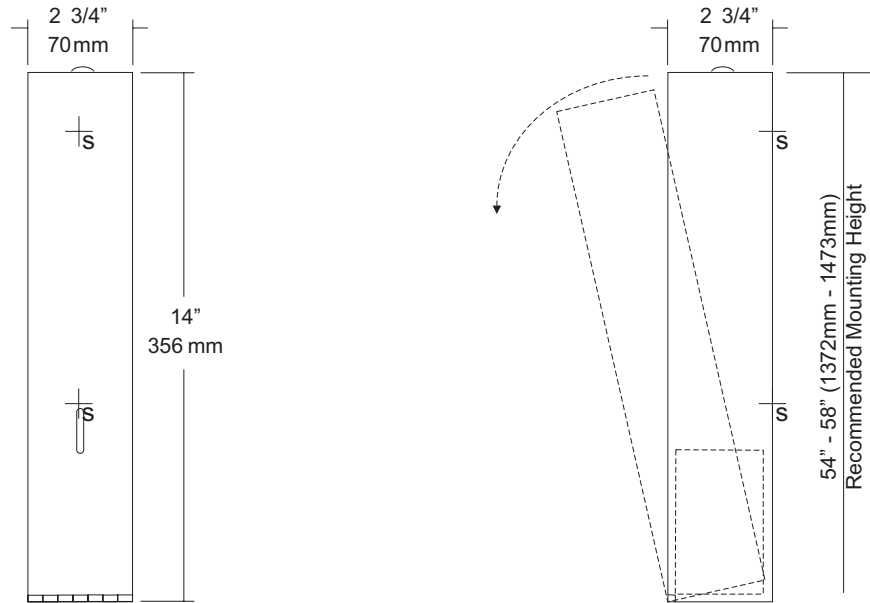


JOB #:

ITEM #:

QUANTITY:

MOUNTING	HANDING	TYPE	SIZE	OTHER



SPECIFICATIONS

Body: Fabricated of #22 gauge stainless steel with a #4 satin finish. Slot in front will allow a constant visual check of the cup capacity.

Back: Fabricated of stainless steel formed for rigidity. Back is secured to body by means of a heavy duty stainless steel piano type hinge.

Dispenser: Dispensing area is hemmed to prevent and cups from hanging up when being dispensed.

Guides: Adjustable guides are fabricated of stainless steel with tabs that allow unit to dispense 3oz to 6oz cups.

Lock: Pin tumbler type lock keyed like all other AJW cabinets.

Overall Size: 2 3/4"W x 14"H x 2 3/4"D

70mm x 356mm x 70mm

Capacity: 150 3oz cups

****Maximum diameter cup at rim is 2 9/16" to assure proper operation.**

INSTALLATION

Open cabinet and place on mounting surface at desired location. Transfer mounting points to surface and drill pilot holes. Secure cabinet with proper fasteners per application. Adjust guides for proper opening per each cup diameter and test for dispensing. Close cabinet door and remove key.

NOTES