



# U450-2

Surface Mounted Waste Receptacle

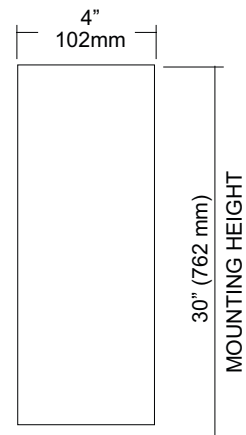
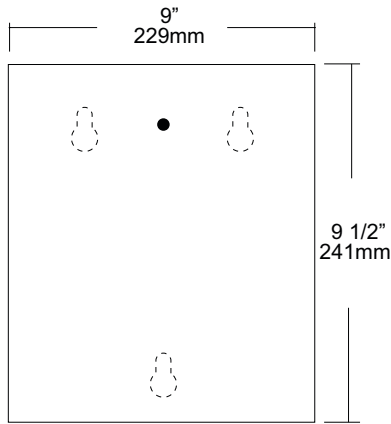
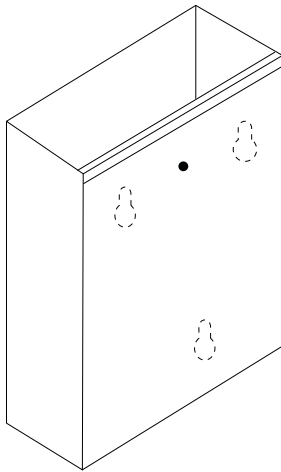
Revision 10/14

JOB #:

ITEM #:

QUANTITY:

MOUNTING	HANDING	TYPE	SIZE	OTHER



### SPECIFICATIONS

**Waste:** Fabricated of #22 ga stainless steel with a #4 satin finish on all exposed surfaces. All leading edges are hemmed and have a radius to prevent injury.

**Back:** Fabricated of stainless steel formed for rigidity with multiple welds to cabinet body.

**Overall Size:** 9"W x 9 1/2"H x 4"D  
**229mm x 241mm x 102mm**

**Waste Capacity:** 2 gallons (.26 cu ft)

**Options:**

- CV: Covered Waste
- VL3: 2.75 Gallon Liner

### INSTALLATION

Provide an area on wall surface at desired or specified location. Hold unit to wall surface, making sure unit is level and transfer mounting points. Drill pilot holes. Using proper fasteners per application, secure unit to wall surface.

### NOTES

Formerly Model #: U450