



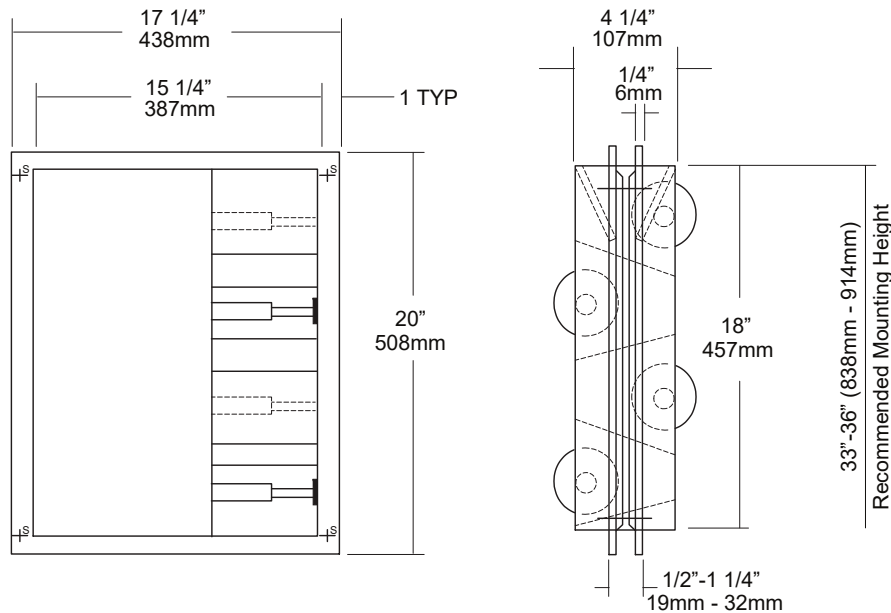
# U865A

Toilet Tissue Dispenser

Job #: \_\_\_\_\_

Item #: \_\_\_\_\_

Qty : \_\_\_\_\_



Drawing is for assembly description only.  
Components are not to scale for clarity purposes.

## Specifications

**Cabinet:** Fabricated of #22 gauge stainless steel. All exposed surfaces have a #4 satin finish.

**Adj. Flanges:** Fabricated of #22 gauge stainless steel one-piece drawn seamless construction. No seams or exposed miters with 1/4" returns to wall surface. (Exposed mounting points)

**Toilet Tissue Dispenser:** #22 gauge stainless steel hat adapters secure chrome plated, spring loaded rollers in place.

**U007 Theft Resistant Adapter:** Prevents spindle from being removed until roll has been depleted.

**Hinges:** All hinges are full length, heavy duty, stainless steel piano type hinges.

**Overall Size:** 17 1/4"W x 20"H x 4 1/4"D  
438mm x 508mm x 108mm

**Adjustable to fit partitions 1/2" - 1 1/4" thick.**

**Wall Opening:** 15 3/4"W x 18 1/2"H  
400mm x 470mm

**Toilet Tissue:** Four standard rolls with a 5 1/4" (133mm) OD.

## Installation Information

Provide rough wall opening at desired or specified location of 15 3/4"W x 18 1/2"H. (Depth of opening will depend on type mounting required.) Place lower unit in opening to ensure proper fit. If unit fits properly in opening, secure with proper fasteners per application.. If collars are required, place collar onto the units from the back before securing to mounting area. Fill toilet tissue rolls.

Toilet Paper Dispensers: All dispensers that are to meet ADA code cannot have any type of controlled delivery. (4.16)