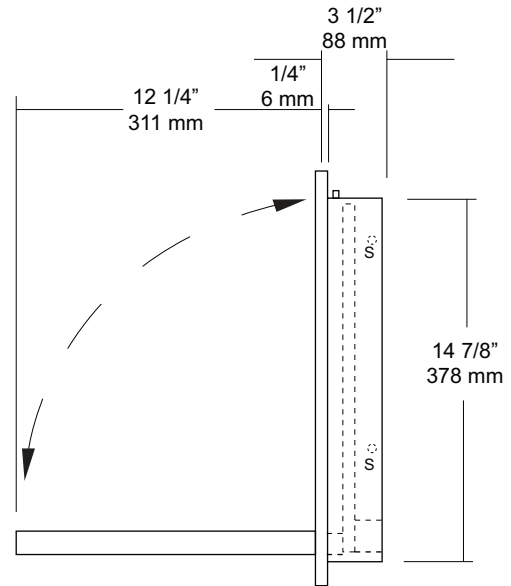
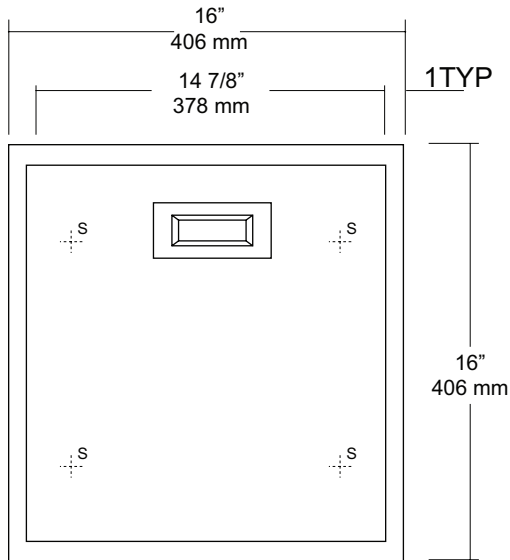


JOB #:

ITEM #:

QUANTITY:

MOUNTING	HANDING	TYPE	SIZE	OTHER



SPECIFICATIONS

Concealed Cabinet: #11 gauge stainless steel.

Seat: Fabricated of #16 gauge stainless steel double pan construction with a #4 satin finish with heliarc welded seams polished smooth. Equipped with a recessed handle for convenient raising and lowering of seat. (300 lb load capacity)

Flange: Integral part of the body fabricated of #22 gauge stainless steel with #4 satin finish and 1/4" returns to wall surface for rigidity.

Locking Mechanism: Concealed friction button catch secures seat in place when in the raised position.

Overall Size: 16"W x 16"H x 3 1/2"D

406mm x 406mm x 70mm

Wall Opening: 15 1/4"W x 15 1/4"H x 2 5/8"D

387mm x 387mm x 80mm

INSTALLATION

Provide a wall opening 15 1/4" x 15 1/4" x 2 5/8" at desired or specified location. Coordinate with contractor and architectural plans for pipes, vents etc in wall. Secure seat to proper backing and framing with proper fasteners per application. (Fasteners not supplied) If this seat is being secured for a security type application, proper security style fasteners should be used. (Not supplied)

Proper mounting height above finished floor is 17" - 19". Check all state and local building codes.

NOTES