



US18

Security Hook For Chase Walls

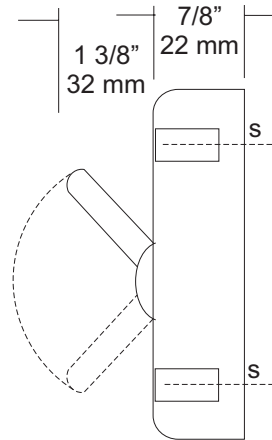
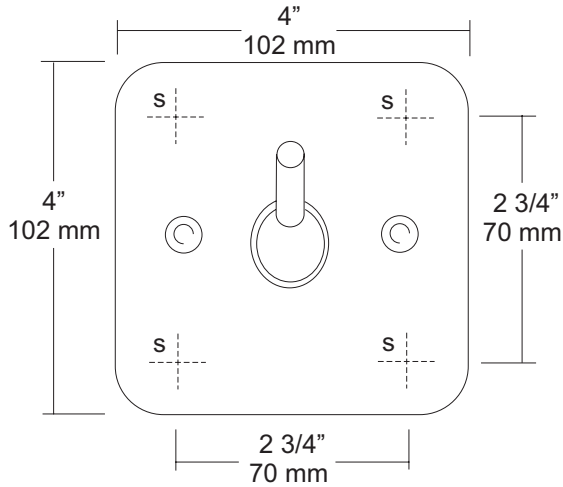
Revision 07/11

JOB #:

ITEM #:

QUANTITY:

MOUNTING	HANDING	TYPE	SIZE	OTHER



SPECIFICATIONS

Hook: Fabricated of #14 gauge stainless steel with a #4 satin finish. All seams are tig welded and ground smooth. Pivoting ball joint releases when excessive force is applied. (Aprx: 15lbs.) Back plate has weld nuts to receive 1/4"-20 studs. (Nuts and washers not included)

Overall Size: 4"W x 4"H x 2 1/4"D

102mm x 102mm x 57mm

INSTALLATION

Place hook on mounting surface and transfer mounting points at desired or specified location. Determine depth of wall to install threaded securing rod. Cut rod to desired length and secure with washers and nuts. (Nuts and washers not supplied) Chase wall installation.

NOTES