



**US39**  
Security Hook Strip

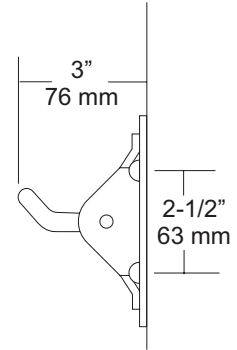
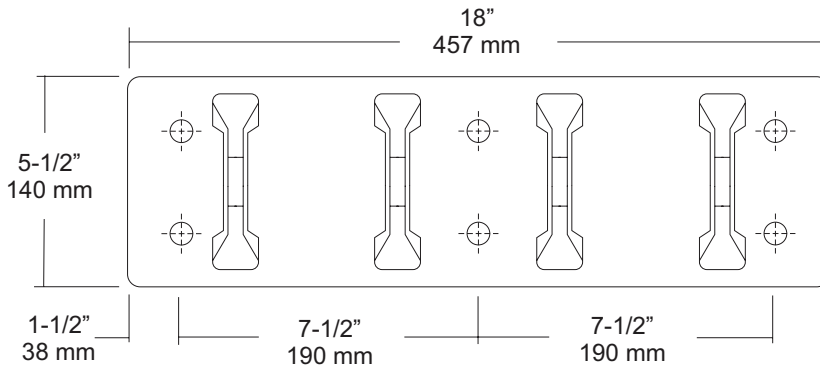
Revision 03/11

JOB #:

ITEM #:

QUANTITY:

MOUNTING	HANDING	TYPE	SIZE	OTHER



**SPECIFICATIONS**

**Mounting Strip:** Fabricated of #14 gauge stainless steel with a #4 satin finish. Six (6) exposed mounting points secure unit to wall surface.

**Hooks:** Fabricated of #11 ga stainless steel bracket with #7 gauge stainless steel collapsible hooks are fabricated of stainless steel finished to match plate. Friction washers prevent hook from collapsing. Washers are adjustable to increase or decrease pressure required to collapse hook. Hook will collapse when excessive weight is applied. (Aprx. 35 lbs.)

**Overall Size:** 18"W x 5 1/2"x H x 3" (Wall to hook)  
**457mm x 140mm x 76mm**

**INSTALLATION**

Place strip on wall surface making sure unit is level at desired or specified location. Transfer mounting points and drill pilot holes for fasteners. Secure unit with proper fasteners per each application. (Fasteners not included) Adjust tension with spanner tool (not provided) to required tension.

**NOTES**