



# US75

## Security Mount Toilet Tissue Holder

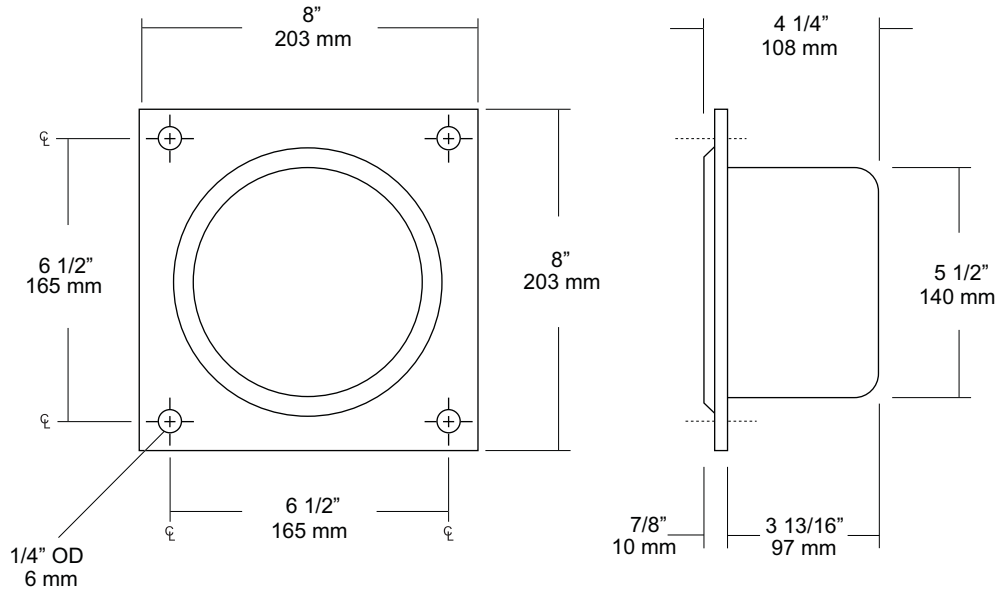
Revision 02/17

JOB #:

ITEM #:

QUANTITY:

MOUNTING	HANDING	TYPE	SIZE	OTHER



SPECIFICATIONS	INSTALLATION
----------------	--------------

**Tissue Holder:** Toilet tissue holder is fabricated of #14 gauge stainless steel with a satin finish on all exposed surfaces. Unit is a drawn one-piece construction. Rim is beveled to form a snug fit against square flange.

**Flange:** Fabricated of #14 gauge stainless steel with a satin finish with four (4) 1/4" dia. mounting points. Flange is a separate piece secured to deep drawn tissue holder.

**Overall Size:** 8"W x 8"H" x 4 1/4"D  
**203mm x 203mm x 108mm**

**Wall Opening:** 5 3/4" diameter x 4"D  
**146mm x 121mm**

**Capacity:** One standard size roll with a 5 1/4" (133mm) OD

Coordinate installation with contractor or architect to avoid interference with pipes, vents, etc. In wall. Provide a wall opening on 5 3/4" diameter. Minimum wall depth required is 4"D. Transfer flange mounting points to wall surface. Drill four (4) points for fasteners per application. Secure unit with proper fasteners. Theft resistant fasteners are not provided.

Toilet Paper Dispensers: All dispensers that are to meet ADA code cannot have any type of controlled delivery. (4.16)

NOTES
-------