



US806

Security Keyed Dual Toilet Tissue Dispenser

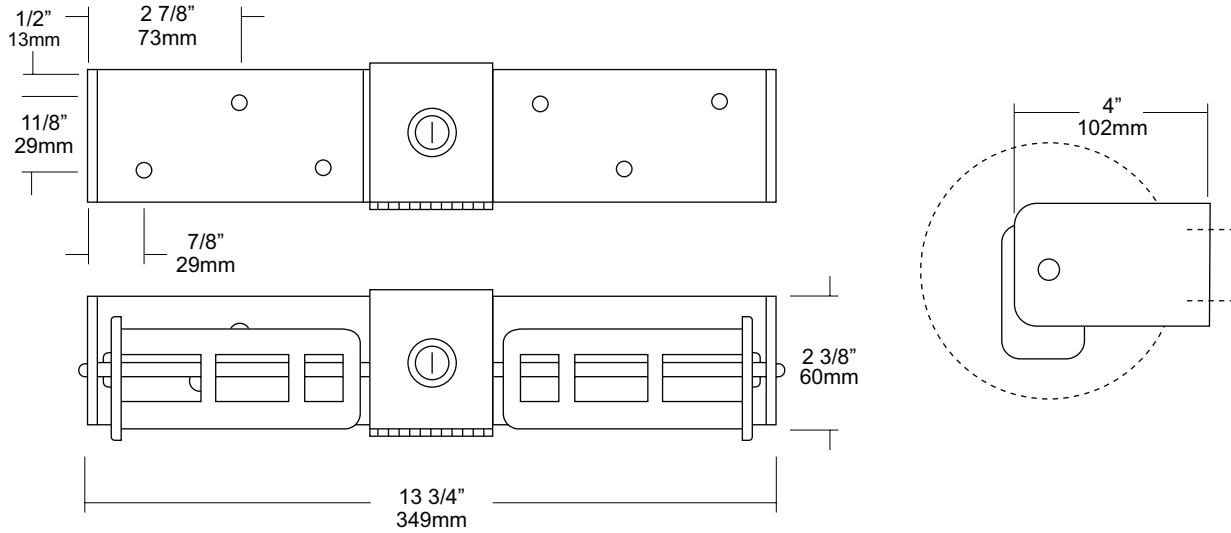
Revision 03/11

JOB #:

ITEM #:

QUANTITY:

MOUNTING	HANDING	TYPE	SIZE	OTHER



SPECIFICATIONS	INSTALLATION
----------------	--------------

Mounting Bracket: Fabricated of #11 gauge, stainless steel with a #4 satin finish.

Spindles: Molded high impact ABS material (theft resistant) with stainless steel spring, designed to retain spindles on bracket. Spring loaded pin prevents roll from being removed until roll is depleted, Spindle rotates only 1/2, revolution, Non-control (-NC) spins freely.

Lock: Pin tumbler lock secured on a hinged panel that: secures spindles on post. Spindles cannot be removed without unlocking center post.

Overall Size: 13 3/4"W x 2 3/8"H x 4"D
349mm x 60mm x 102mm

US805-NC: Non-Control dispenser

Capacity: Two standard rolls with a 5 1/4" (133mm) OD.

Provide an area on wall surface at desired or specified location, Place unit on mounting surface making sure unit is level and transfer mount points. Drill pilot holes and secure with proper fasteners per application. If a controlled delivery dispenser is installed, remove spring loaded pin to obtain a non-controlled delivery.

All dispensers must have a non-control delivery, be mounted at the proper height and location to meet ADA code. (4.16)

NOTES
