



U007

Theft Resistant Spindle Adapter

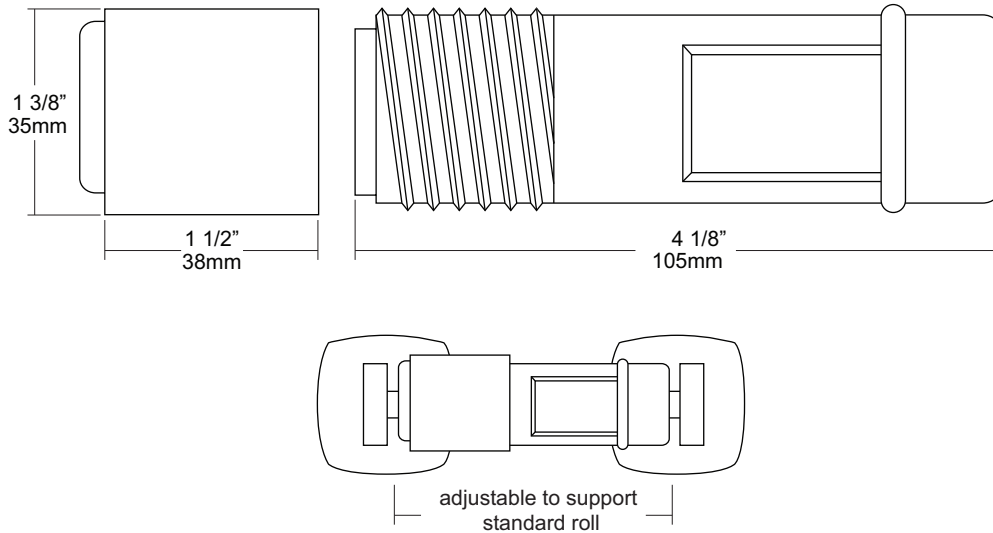
Revision 01/12

JOB #:

ITEM #:

QUANTITY:

MOUNTING	HANDING	TYPE	SIZE	OTHER



SPECIFICATIONS

U007: Fabricated of high impact ABS black plastic that has a threaded end that holds a standard spring loaded spindle. The standard spindle becomes a theft resistant when the U007 is added.

Note: The U007 cannot be used by itself for holding a roll of toilet tissue. A&J standard white or chrome spring loaded roller is required.

INSTALLATION

Unscrew the U007 adapter and insert the spring loaded roller (U006A). Thread the two pieces of the adapter together compressing the roller. Place the roll of tissue over the adapter and adjust properly to fit into the dispenser. To change the roll, the core must be removed then the adapter is tightened to allow the removal from the holder. Slide a new roll over the adapter and adjust to fit holder.

NOTES